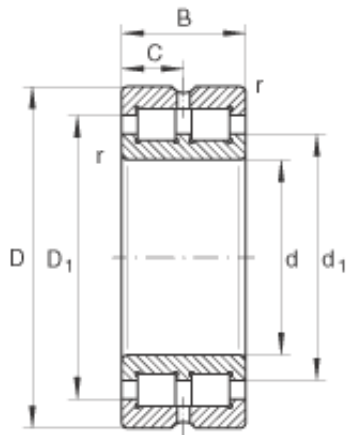




BROWNING BEARINGS MANUFACTURE LIMITED



340 mm x 460 mm x 118 mm INA SL014968
cylindrical roller bearings

Bearing No. SL014968

SL014968 Bearing 2D drawings and 3D CAD models

Size	340x460x118 mm
Bore Diameter	340 mm
Outer Diameter	460 mm
Width	118 mm
d	340 mm
D	460 mm
B	118 mm
C	59 mm
D ₁	418,9 mm
d ₁	385,3 mm
r _{min}	3 mm
	NNC4968V / Designation to DIN 5412
m	59 kg / Weight
C _r	1750000 N / Dynamic load rating (radial)
C _{0r}	4250000 N / Static load rating (radial)
C _{ur}	445000 N / Fatigue limit load, radial
n _G	770 1/min / Limiting speed