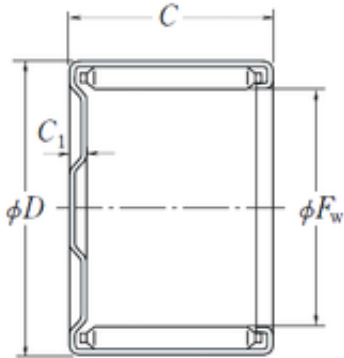




NSK MF-2220 needle roller bearings



MF-2220 Bearing 2D drawings and 3D CAD models

Bearing No. MF-2220

Size	22x28x20 mm
Bore Diameter	22 mm
Outer Diameter	28 mm
Width	20 mm
Fw	22 mm
D	28 mm
C	20 mm
C1	2,2 mm
Weight	0,033 Kg
Basic dynamic load rating (C)	21,6 kN
(Grease) Lubrication Speed	2400 r/min
NB-DI	0
NA-DEX	0
hidYobi	MF-2220
LangID	1
D_	28
NC-SLR	0
B_	20.5
n_yobi	FIR-172220
hidTable	ecat_NSDCNR
d1	17
GRS rpm	2400
ra	0.3
NC-SLR1	0
C0	46.396
Prod_Type3	NRB_DC_F-MF_FC_CT



BROWNING BEARINGS MANUFACTURE LIMITED

da	19
d	17
NC-RAC	0
Pmax	20000
N-SDM	0
yobi	MF-2220
C1_C2	2.2
ND-Z	0
OIL rpm	4000
NC-DA	0
mass_i	33
NC-KMS	0
B1	20.5